

BOCCHI

TRONTO 2.0

PULL-DOWN KITCHEN FAUCET



Product Code
2026 0001 XX

FEATURES:

- 25 mm ceramic disc valve cartridge
- Cartridge working life: >500,000 times
- Lead-Free faucet body, contains ≤ 0.25% total lead content by weighted volume
- Maximum flow rate = 1.8 gpm (6.8 l/min) at 72 psi
- Spout swivels 360°
- Standard or Needle Spray with weighted shower hose
- 90° forward handle
- Includes flexible inlet hoses, each 24"
- Stabilizer flange included
- Extended 3.5 in shank

WEIGHT: 3.5 lbs

AVAILABLE FINISHES:

- CH - Chrome
- SS - Stainless Steel
- MB - Matte Black
- BG - Brushed Gold

DIMENSIONS:

- Spout length = 8.76 in (222.4 mm)
- Spout height = 8.35 in (212.1 mm)
- Overall Faucet height = 16.55 in (420.3 mm)

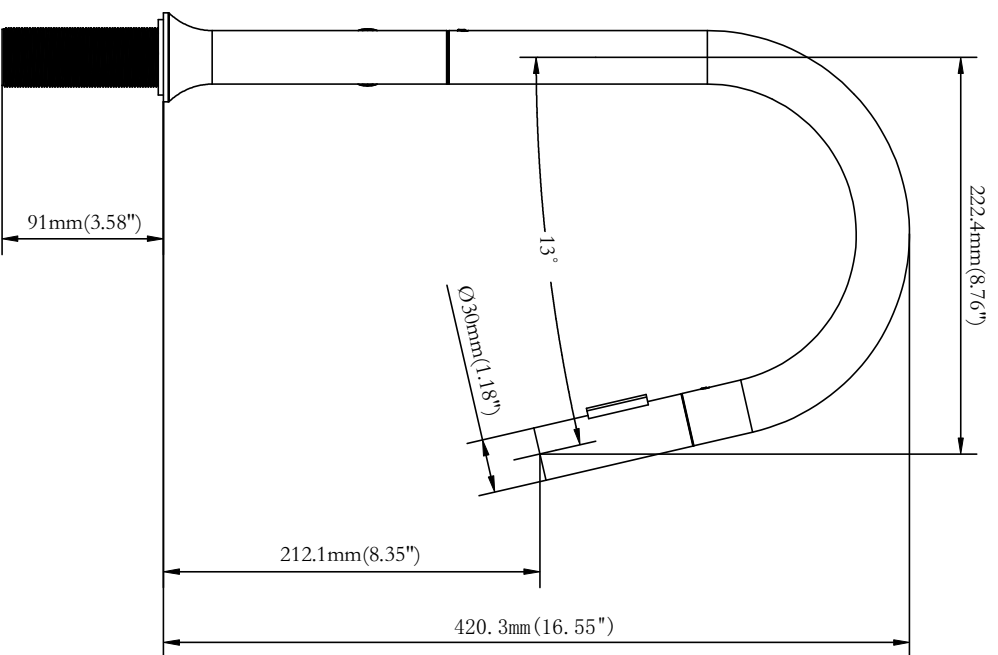
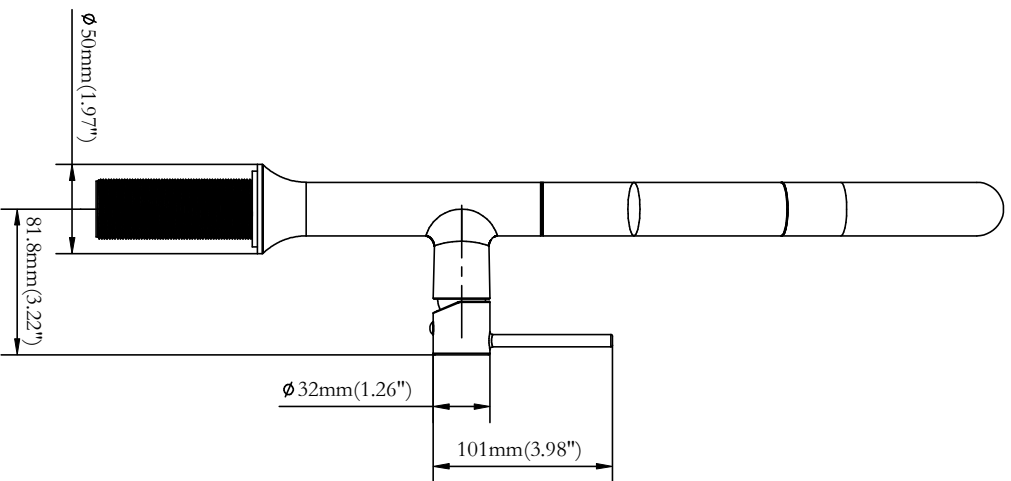
OPTIONAL ACCESSORIES:

- 2180 0003 - Contemporary Deck Plate
- 2180 0004 - Traditional Deck Plate
- 2340 0005 - Lesina Soap Dispenser
- 2340 0006 - Tronto 2.0 Soap Dispenser

CODES / STANDARDS:

ASME A112.18.1 / CSA B125.1 / NSF 61 / NSF 372 / AB1954 / DOE - Energy Policy Act 1992 / CEC - California Energy Consumption / Meets CalGreen requirements for kitchen faucets

BOCCHI



IMPORTANT: These measurements are subject to change or cancellation. No responsibility is assumed for use of superseded or voided pages. BOCCHI reserves the right to make revisions without notice to product specifications.

